

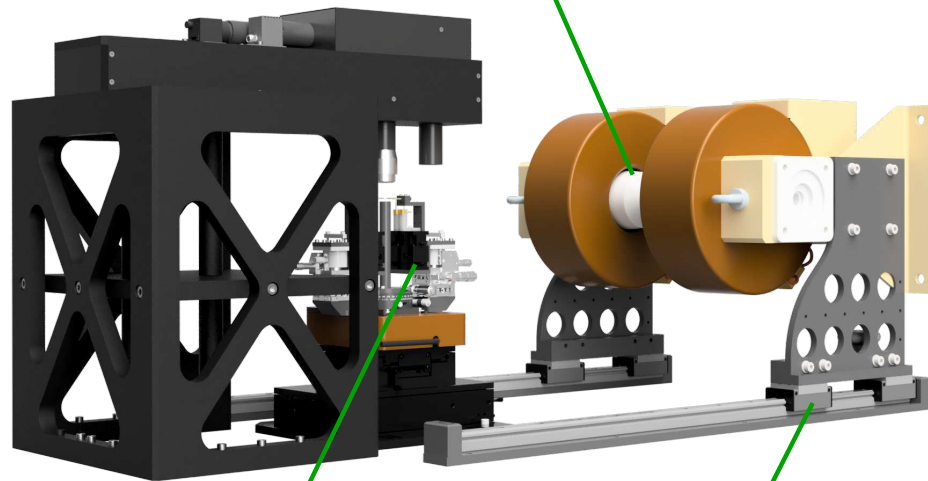
# Electromagnet - Option

>> Features

# thaTEC:OSM

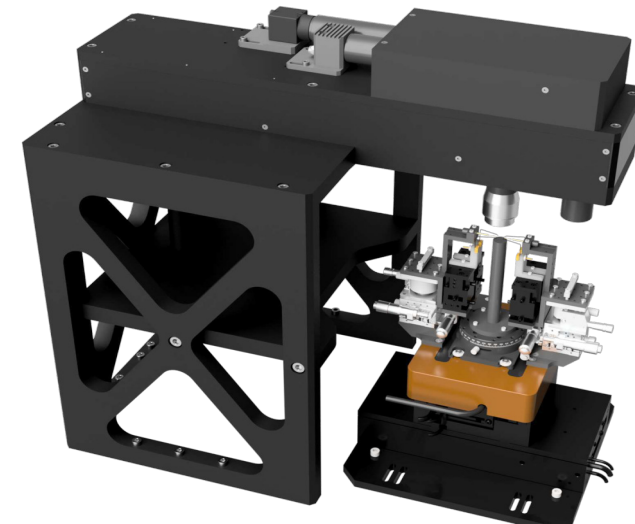
# Optical Scanning Microscope

Powerful electromagnet





Easy access to the sample

Railing system to move the magnet



THATec Innovation GmbH  
Augustaanlage 23  
68165 Mannheim  
Germany

Phone: +49-621-40041-34  
Fax: +49-621-40041-40

 [www.thatec-innovation.com](http://www.thatec-innovation.com)  
 [contact@thatec-innovation.com](mailto:contact@thatec-innovation.com)

# THATec Innovation

[www.thatec-innovation.com](http://www.thatec-innovation.com)

# Optical Scanning Microscope

## >> Features

CCD camera for sample imaging  
>> 1.3 MP, 60 fps, 10-bit ADC

High-power LED sample illumination  
>> wavelength: 660 nm (other wavelengths on request)

Optical system for input laser  
>> Wavelength range: 400 nm - 590 nm (other on request)  
>> Max. laser diameter: 8 mm

Imaging system for both viewports

100x / 0,75 NA objective with 4.1 mm working distance

Second viewport for electrical contacting

Rigid aluminum construction  
>> On-site installation included

Up to 2 high frequency and up to 4 DC probes  
>> each individually 3D positionabel

Software available: *thaTEC:Microscopy*  
>> Auto focus routines  
>> On-screen graphic scan definition  
>> Drift stabilization via pattern recognition

Rotary stage for exact sample orientation

Separate laser output port  
for backscattered light

Motorized 3D positioning system  
>> 150 mm x 50 mm x 4.8 mm travel range  
>> Nanometer precision  
>> 100 N load  
>> other hardware on request

